



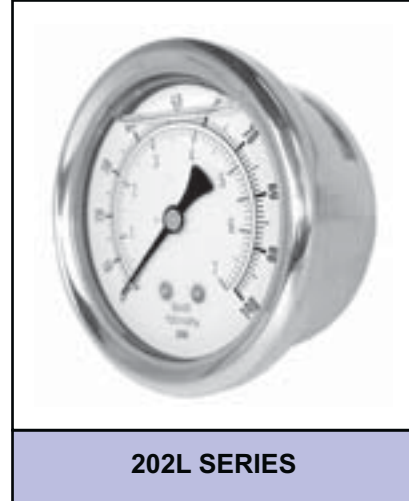
200 SERIES LIQUID FILLED GAUGE

Glycerine filled for added durability in applications where vibration or pulsation is present
Stainless steel case and bezel, copper alloy internals

2



201L SERIES



202L SERIES



203L SERIES



204L SERIES

STANDARD DIAL CONFIGURATIONS FOR 200 SERIES

Dial Range	Figure Intervals	Graduation Intervals	Dial Range	Figure Intervals	Graduation Intervals	Dial Range	Figure Intervals	Graduation Intervals
30/0"hg Vac	5" hg	0.5" hg	0/60 psi	10 psi	0.5 psi	0/1000 psi	200 psi	20 psi
30/0/15 psi	10" hg/5 psi	1" hg/0.5 psi	0/100 psi	20 psi	2 psi	0/1500 psi	200 psi	20 psi
30/0/30 psi	10" hg/5psi	1" hg/0.5 psi	0/160 psi	20 psi	2 psi	0/2000 psi	400 psi	40 psi
30/0/60 psi	30" hg/10psi	2" hg/1 psi	0/200 psi	40 psi	5 psi	0/3000 psi	500 psi	50 psi
30/0/100 psi	30" hg/20psi	5" hg/2 psi	0/300 psi	50 psi	5 psi	0/4000 psi	500 psi	50 psi
30/0/150 psi	30" hg/30psi	5" hg/2 psi	0/400 psi	50 psi	5 psi	0/5000 psi	1000 psi	100 psi
30/0/300 psi	30" hg/50psi	10" hg/5 psi	0/500 psi	100 psi	10 psi	0/6000 psi	1000 psi	100 psi
0/15 psi	2 psi	0.1 psi	0/600 psi	100 psi	10 psi	0/10,000 psi	2000 psi	200 psi
0/30 psi	5 psi	0.5 psi	0/800 psi	100 psi	10 psi	0/15,000 psi	2000 psi	200 psi

NOTE: Because of continuing improvements, increments/specifications are subject to change without notice. Stock ranges vary by dial size and configuration. Consult PIC Gauges for availability.

201L LIQUID FILLED LOWER MOUNT

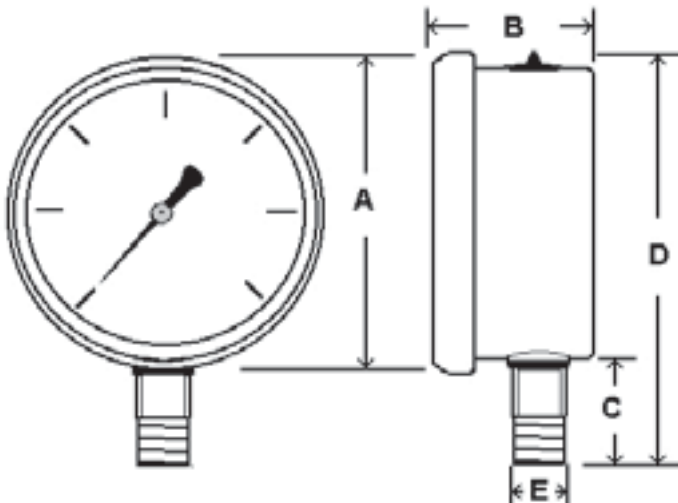


Glycerine filled for added durability in applications where vibration or pulsation is present
Stainless steel case and bezel, copper alloy internals

SPECIFICATIONS

Dial	1 ½" (40 mm), 2" (50 mm), 2 ½" (63 mm), 4" (100 mm)
Case	Stainless steel, glycerine filled
Wetted Parts	Copper alloy
Bezel	Stainless steel, fixed
Lens	Polycarbonate
Pointer	Black aluminum
Connection	Lower mount 1 ½" dial = ⅛" NPT 2" dial = ⅛" or ¼" NPT 2 ½" dial = ¼" NPT 4" dial = ¼" or ½" NPT
Scale	Standard: psi/BAR (x 100 = kPa) Single scale psi available from stock
Accuracy	3-2-3% of span 1 ½" & 2" ASME B40.1 Grade B 2-1-2% of span 2 ½" & 4" ASME B40.1 Grade A
Ambient Temp	Glycerine Filled = 30° F to 160° F Dry = -30° F to 180° F

Design meets or exceeds ASME B40.100 pressure gauge standard.



Dial	Unit	A	B	C	D	E
1 ½"	In.	1.85"	1.00"	0.67"	2.28"	⅛" NPT
	mm	47	25	17	58	
2"	In.	2.27"	1.20"	0.91"	2.95"	⅛" or ¼" NPT
	mm	58	31	23	75	
2 ½"	In.	2.80"	1.40"	1.07"	3.55"	¼" NPT
	mm	71	36	27	90	
4"	In.	4.29"	1.75"	1.17"	5.21"	¼" or ½" NPT
	mm	109	45	30	132	



2

AVAILABLE OPTIONS*

- Certificate of Accuracy, NIST traceable
- Custom Dial
- Liquid Fill Options, see page 176
- Anti-Vibration Movement, see page 109
- Glass Lens
- Dry, Fillable Case
- Cleaned for Oxygen Service (dry only)
- Special Connection Size
- Protective Rubber Cover, see page 121
- Max/Min Pointer, see page 122

*Lead times/minimums may apply

APPROXIMATE SHIPPING WEIGHTS/ BOX QUANTITIES

Dial Size	Est. Unit Weight	Box Qty
1 ½"	0.20 lbs (0.10 kg)	100
2"	0.40 lbs (0.18 kg)	100
2 ½"	0.55 lbs (0.24 kg)	50
4"	1.5 lbs (0.68 kg)	30



202L LIQUID FILLED CENTER BACK MOUNT

Glycerine filled for added durability in applications where vibration or pulsation is present
Stainless steel case and bezel, copper alloy internals

SPECIFICATIONS

2

Dial	1 ½" (40 mm), 2" (50 mm), 2 ½" (63 mm), 4" (100 mm)
Case	Stainless steel, glycerine filled
Wetted Parts	Copper alloy
Bezel	Stainless steel, fixed
Lens	Polycarbonate
Pointer	Black aluminum
Connection	Center back mount 1 ½" dial = ⅛" NPT 2" dial = ⅛" or ¼" NPT 2 ½" dial = ¼" NPT 4" dial = ¼" NPT
Scale	Standard: psi/BAR (x 100 = kPa) Single scale psi available from stock - 2 ½" Only
Accuracy	3-2-3% of span 1 ½" & 2" ASME B40.1 Grade B 2-1-2% of span 2 ½" & 4" ASME B40.1 Grade A
Ambient Temp	Glycerine Filled = 30° F to 160° F Dry = -30° F to 180° F

Design meets or exceeds ASME B40.100 pressure gauge standard.



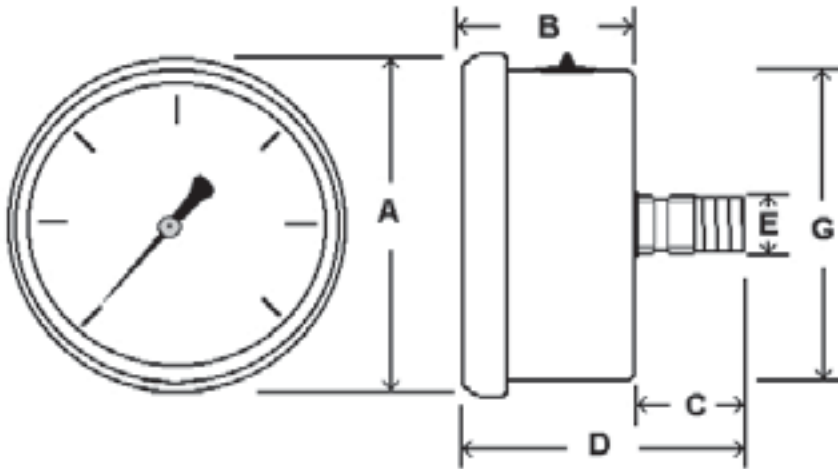
AVAILABLE OPTIONS*

- Certificate of Accuracy, NIST traceable
- Custom Dial
- Liquid Fill Options, see page 176
- Anti-Vibration Movement, see page 109
- Glass Lens
- Dry, Fillable Case
- Cleaned for Oxygen Service (dry only)
- Special Connection Size
- Protective Rubber Cover, see page 121
- Max/Min Pointer, see page 122

*Lead times/minimums may apply

APPROXIMATE SHIPPING WEIGHTS/ BOX QUANTITIES

Dial Size	Est. Unit Weight	Box Qty
1 ½"	0.20 lbs (0.10 kg)	100
2"	0.40 lbs (0.18 kg)	100
2 ½"	0.55 lbs (0.26 kg)	50
4"	1.50 lbs (0.70 kg)	30



Dial	Unit	A	B	C	D	E	G
1 ½"	In.	1.85"	1.02"	0.72"	1.74"	⅛" NPT	1.63"
	mm	47	26	18	44		42
2"	In.	2.28"	1.18"	0.94"	2.08"	⅛" or ¼" NPT	2.05"
	mm	58	30	24	53		52
2 ½"	In.	2.80"	1.34"	0.94"	2.28"	¼" NPT	2.48"
	mm	71	34	24	58		63
4"	In.	4.29"	1.78"	1.37"	3.15"	¼" NPT	3.91"
	mm	109	45	35	80		99

203L LIQUID FILLED U-CLAMP PANEL MOUNT



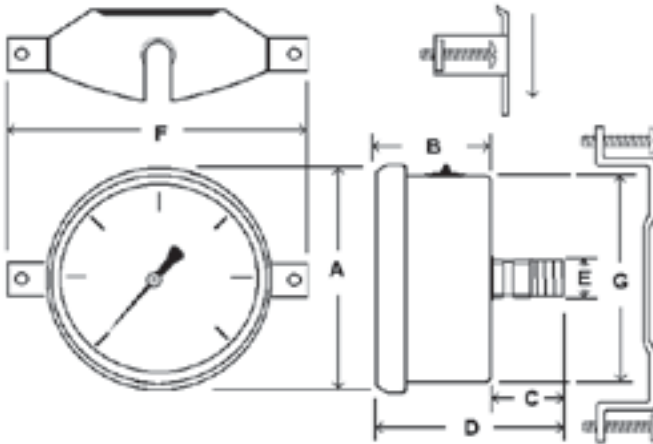
Glycerine filled for added durability in applications where vibration or pulsation is present
Stainless steel case and bezel, copper alloy internals

2

SPECIFICATIONS

Dial	1 ½" (40 mm), 2" (51 mm), 2 ½" (63 mm), 4" (100 mm)
Case	Stainless steel, glycerine filled
Wetted Parts	Copper alloy
Bezel	Stainless steel, fixed
Lens	Polycarbonate
Pointer	Black aluminum
Connection	Center back mount with u-clamp 1 ½" dial = ⅛" NPT 2" dial = ⅛" or ¼" NPT 2 ½" dial = ¼" NPT 4" dial = ¼" NPT
Scale	Standard: psi/BAR (x 100 = kPa) Single scale psi available from stock - 2 ½" Only
Accuracy	3-2-3% of span 1 ½" & 2" ASME B40.1 Grade B 2-1-2% of span 2 ½" & 4" ASME B40.1 Grade A
Ambient Temp	Glycerine Filled = 30° F to 160° F Dry = -30° F to 180° F

Design meets or exceeds ASME B40.100 pressure gauge standard.



AVAILABLE OPTIONS*

- Certificate of Accuracy, NIST traceable
- Custom Dial
- Liquid Fill Options, see page 176
- Anti-Vibration Movement, see page 109
- Glass Lens
- Dry, Fillable Case
- Cleaned for Oxygen Service (dry only)
- Special Connection Size
- Max/Min Pointer, see page 122

*Lead times/minimums may apply

APPROXIMATE SHIPPING WEIGHTS/ BOX QUANTITIES

Dial Size	Est. Unit Weight	Box Qty
1 ½"	0.30 lbs (0.13 kg)	100
2"	0.50 lbs (0.23 kg)	100
2 ½"	0.65 lbs (0.29 kg)	50
4"	1.70 lbs (0.76 kg)	30

Dial	Unit	A	B	C	D	E	F	G
1 ½"	In.	1.85"	1.02"	0.72"	1.74"	⅛" NPT	2.75"	1.63"
	mm	47	26	18	44		70	42
2"	In.	2.28"	1.18"	0.94"	2.08"	⅛" or ¼" NPT	3.13"	2.05"
	mm	58	30	24	53		80	52
2 ½"	In.	2.80"	1.34"	0.94"	2.28"	¼" NPT	3.84"	2.48"
	mm	71	34	24	58		98	63
4"	In.	4.29"	1.78"	1.37"	3.15"	¼" or ½" NPT	5.6"	3.91"
	mm	109	45	35	80		141	99



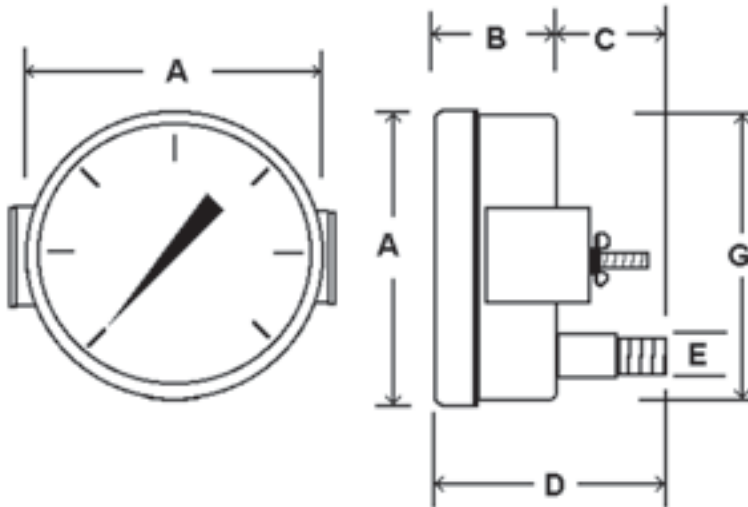
3 1/2" 203D FILLABLE U-CLAMP PANEL MOUNT

Dry yet fillable gauge for durability in applications where vibration or pulsation is present
Stainless steel case and bezel, copper alloy internals

SPECIFICATIONS

2 Dial	3 1/2" (88 mm)
Case	Stainless steel, dry yet fillable
Wetted Parts	Copper alloy
Bezel	Stainless steel, fixed
Lens	Polycarbonate
Pointer	Black aluminum
Connection	Lower back mount with u-clamp 3 1/2" dial = 1/4" NPT
Scale	Standard: psi/BAR (x 100 = kPa)
Accuracy	2-1-2% of span, ASME B40.1 Grade A
Ambient Temp	Dry = -30° F to 180° F Glycerine Filled = 30° F to 160° F

Design meets or exceeds ASME B40.100 pressure gauge standard.



Dial	Unit	A	B	C	D	E	G
3 1/2"	In.	3.83"	1.13"	1.00"	2.15"	1/4" NPT	3.50"
	mm	97	29	25	55		89

AVAILABLE OPTIONS*

- Certificate of Accuracy, NIST traceable
- Custom Dial
- Liquid Fill Options, see page 176
- Anti-Vibration Movement, see page 109
- Glass Lens
- Cleaned for Oxygen Service (dry only)
- Special Connection Size
- Max/Min Pointer, see page 122

*Lead times/minimums may apply

APPROXIMATE SHIPPING WEIGHTS/ BOX QUANTITIES

Dial Size	Est. Unit Weight	Box Qty
3 1/2"	0.60 lbs (0.28 kg)	50

204L LIQUID FILLED FRONT FLANGE PANEL MOUNT

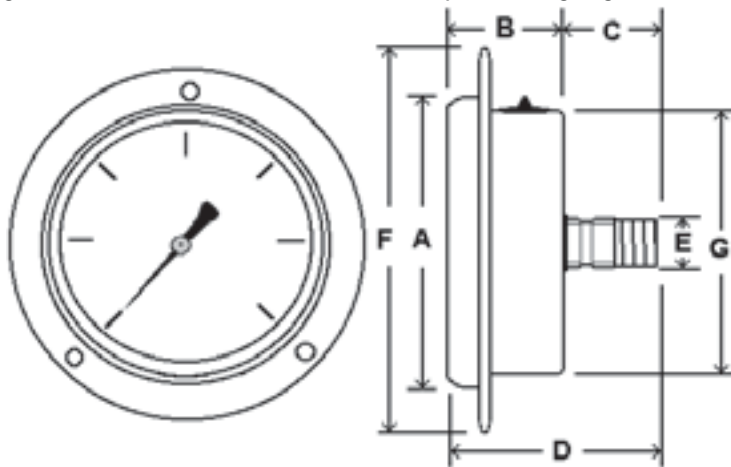


Glycerine filled for added durability in applications where vibration or pulsation is present
Stainless steel case and bezel, copper alloy internals

SPECIFICATIONS

Dial	1 ½" (40 mm), 2" (50 mm), 2 ½" (63 mm), 3 ½" (88 mm), 4" (100 mm)
Case	Stainless steel, glycerine filled
Wetted Parts	Copper alloy
Bezel	Stainless steel, fixed
Lens	Polycarbonate
Pointer	Black aluminum
Connection	Center back mount with front flange 1 ½" dial = ⅛" NPT 2" dial = ⅛" or ¼" NPT 2 ½" dial = ¼" NPT 3 ½" dial = ¼" NPT - ships with u-clamp 4" dial = ¼" NPT
Scale	Standard: psi/BAR (x 100 = kPa) Single scale psi available from stock - 2 ½" Only
Accuracy	3-2-3% of span 1 ½" & 2" ASME B40.1 Grade B 2-1-2% of span 2 ½" & 4" ASME B40.1 Grade A
Ambient Temp	Glycerine Filled = 30° F to 160° F Dry = -30° F to 180° F

Design meets or exceeds ASME B40.100 pressure gauge standard.



Dial	Unit	A	B	C	D	E	F	G
1 ½"	In.	1.85"	1.02"	0.72"	1.74"	⅛" NPT	2.46"	1.63"
	mm	47	26	18	44		63	42
2"	In.	2.28"	1.18"	0.94"	2.08"	⅛" or ¼" NPT	2.81"	2.05"
	mm	58	30	24	53		72	52
2 ½"	In.	2.80"	1.34"	0.94"	2.28"	¼" NPT	3.45"	2.48"
	mm	71	34	24	58		88	63
4"	In.	4.29"	1.78"	1.37"	3.15"	¼" or ½" NPT	5.14"	3.91"
	mm	109	45	35	80		130	99



2

AVAILABLE OPTIONS*

- Certificate of Accuracy, NIST traceable
- Custom Dial
- Liquid Fill Options, see page 176
- Anti-Vibration Movement, see page 109
- Glass Lens
- Dry, Fillable Case
- Cleaned for Oxygen Service (dry only)
- Special Connection Size
- Max/Min Pointer, see page 122

*Lead times/minimums may apply

APPROXIMATE SHIPPING WEIGHTS/ BOX QUANTITIES

Dial Size	Est. Unit Weight	Box Qty
1 ½"	0.30 lbs (0.13 kg)	100
2"	0.50 lbs (0.23 kg)	100
2 ½"	0.60 lbs (0.29 kg)	50
4"	1.70 lbs (0.76 kg)	30

For complete flange dimensions, see page 123.



210 SERIES FILLABLE GAUGE

Dry yet fillable gauge with removable bezel, adjustable pointer
Stainless steel case and bezel, copper alloy internals

2



211D SERIES



212D SERIES



213D SERIES



214D SERIES

STANDARD DIAL CONFIGURATIONS FOR 210 SERIES

Dial Range	Figure Intervals	Graduation Intervals	Dial Range	Figure Intervals	Graduation Intervals	Dial Range	Figure Intervals	Graduation Intervals
30/0"hg Vac	5" hg	0.5" hg	0/60 psi	10 psi	0.5 psi	0/1000 psi	200 psi	20 psi
30/0/30 psi	10" hg/5 psi	1" hg/0.5 psi	0/100 psi	20 psi	2 psi	0/1500 psi	200 psi	20 psi
30/0/60 psi	30" hg/10psi	2" hg/1 psi	0/160 psi	20 psi	2 psi	0/2000 psi	200 psi	20 psi
30/0/100 psi	30" hg/20psi	5" hg/2 psi	0/200 psi	40 psi	5 psi	0/3000 psi	500 psi	50 psi
30/0/150 psi	30" hg/30psi	5" hg/2 psi	0/300 psi	50 psi	5 psi	0/4000 psi	500 psi	100 psi
0/15 psi	2 psi	0.1 psi	0/400 psi	50 psi	5 psi	0/5000 psi	1000 psi	100 psi
0/30 psi	5 psi	0.25 psi	0/600 psi	100 psi	10 psi	0/6000 psi	1000 psi	100 psi
						0/10,000 psi	2000 psi	200 psi

NOTE: Because of continuing improvements, increments/specifications are subject to change without notice. Stock ranges vary by dial size and configuration. Consult PIC Gauges for availability.

211D REMOVABLE BEZEL LOWER MOUNT



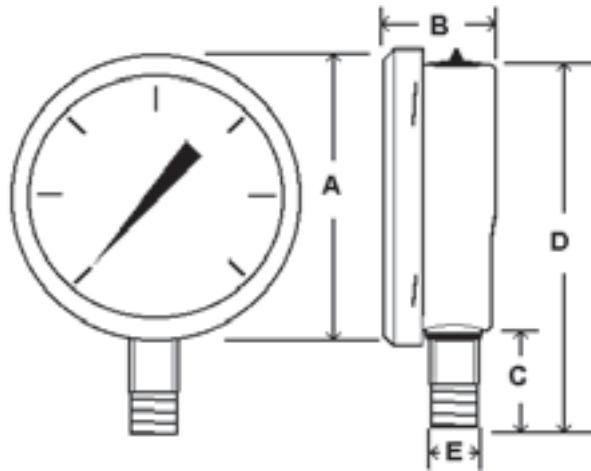
Dry yet fillable gauge with removable bezel, adjustable pointer
Stainless steel case and bezel, copper alloy internals

2

SPECIFICATIONS

Dial	2 ½" (63 mm)
Case	Stainless steel, dry - fillable
Wetted Parts	Copper alloy
Bezel	Removable, stainless steel
Lens	Glass
Pointer	Adjustable, black aluminum
Connection	Lower mount 2 ½" dial = ¼" NPT
Scale	Standard: psi/BAR (x 100 = kPa)
Accuracy	2-1-2% of span ASME B40.1 Grade A
Ambient Temp	Dry = -30° F to 180° F Glycerine Filled = 30° F to 160° F

Design meets or exceeds ASME B40.100 pressure gauge standard.



Dial	Unit	A	B	C	D	E
2 ½"	In.	2.83"	1.42"	1.06"	3.54"	¼"
	mm	72	36	27	90	NPT

AVAILABLE OPTIONS*

- Certificate of Accuracy, NIST traceable
- Custom Dial
- Liquid Fill Options, see page 176
- Anti-Vibration Movement, see page 109
- Cleaned for Oxygen Service (dry only)
- Special Connection Size
- Protective Rubber Cover, see page 121
- Plastic Lens
- Max/Min Pointer, see page 122

*Lead times/minimums may apply

APPROXIMATE SHIPPING WEIGHTS/ BOX QUANTITIES

Dial Size	Est. Unit Weight	Box Qty
2 ½"	0.40 lbs (0.20 kg)	100



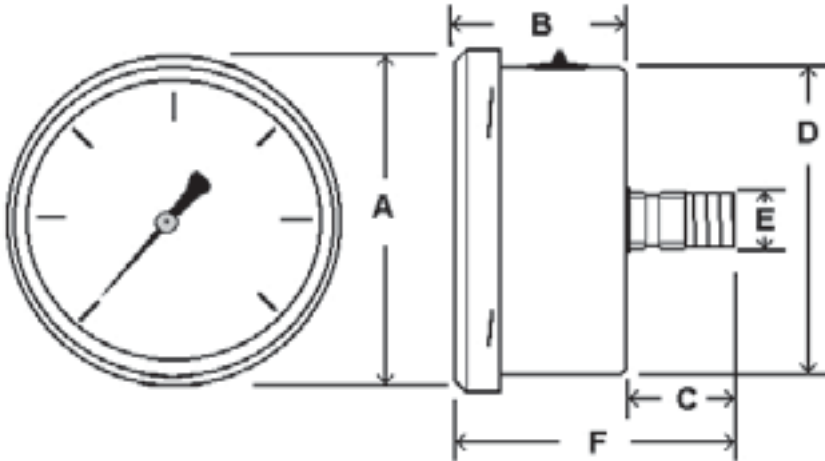
212D REMOVABLE BEZEL CENTER BACK MOUNT

Dry yet fillable gauge with removable bezel, adjustable pointer
Stainless steel case and bezel, copper alloy internals

SPECIFICATIONS

2 Dial	2 ½" (63 mm),
Case	Stainless steel, dry yet fillable
Wetted Parts	Copper alloy
Bezel	Removable, stainless steel
Lens	Glass
Pointer	Adjustable, black aluminum
Connection	Center back mount
	2 ½" dial = ¼" NPT
Scale	Standard: psi/BAR (x 100 = kPa)
Accuracy	2-1-2% of span ASME B40.1 Grade A
Ambient Temp	Dry = -30° F to 180° F Glycerine Filled = 30° F to 160° F

Design meets or exceeds ASME B40.100 pressure gauge standard.



Dial	Unit	A	B	C	D	E	F
2 ½"	In.	2.83"	1.37"	1.00"	2.49"	¼"	2.29"
	mm	72	35	25	63	NPT	58

AVAILABLE OPTIONS*

- Certificate of Accuracy, NIST traceable
- Custom Dial
- Liquid Fill Options, see page 176
- Anti-Vibration Movement, see page 109
- Cleaned for Oxygen Service (dry only)
- Special Connection Size
- Protective Rubber Cover, see page 121
- Plastic Lens
- Max/Min Pointer, see page 122

*Lead times/minimums may apply

APPROXIMATE SHIPPING WEIGHTS/ BOX QUANTITIES

Dial Size	Est. Unit Weight	Box Qty
2 ½"	0.40 lbs (0.20 kg)	50

213D REMOVABLE BEZEL U-CLAMP PANEL MOUNT



Dry yet fillable gauge with removable bezel, adjustable pointer
Stainless steel case and bezel, copper alloy internals

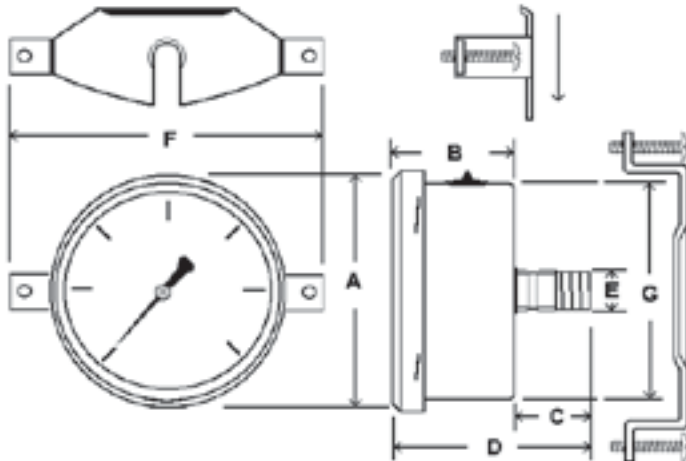
2

SPECIFICATIONS

Dial	2 ½" (63 mm)
Case	Stainless steel, dry yet fillable
Wetted Parts	Copper alloy
Bezel	Removable, stainless steel
Lens	Glass
Pointer	Adjustable, black aluminum
Connection	Center back mount with u-clamp 2 ½" dial = ¼" NPT
Scale	Standard: psi/BAR (x 100 = kPa)
Accuracy	2-1-2% of span ASME B40.1 Grade A
Ambient Temp	Dry = -30° F to 180° F Glycerine Filled = 30° F to 160° F



Design meets or exceeds ASME B40.100 pressure gauge standard.



AVAILABLE OPTIONS*

- Certificate of Accuracy, NIST traceable
- Custom Dial
- Liquid Fill Options, see page 176
- Anti-Vibration Movement, see page 109
- Cleaned for Oxygen Service (dry only)
- Special Connection Size
- Plastic Lens
- Max/Min Pointer, see page 122

*Lead times/minimums may apply

Dial	Unit	A	B	C	D	E	F	G
2 ½"	In.	2.83"	1.37"	1.00"	2.29"	¼"	3.84"	2.48"
	mm	72	35	25	58	NPT	98	63

APPROXIMATE SHIPPING WEIGHTS/ BOX QUANTITIES

Dial Size	Est. Unit Weight	Box Qty
2 ½"	0.55 lbs (0.25 kg)	50



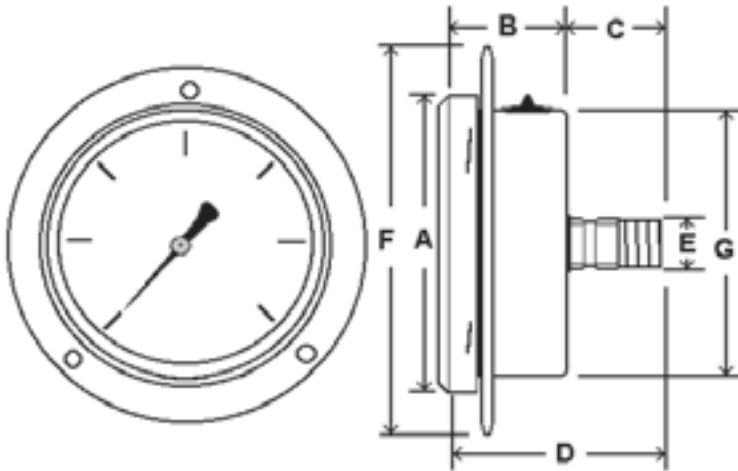
214D REMOVABLE BEZEL FRONT FLANGE PANEL MOUNT

Dry yet fillable gauge with removable bezel, adjustable pointer
 Stainless steel case and bezel, copper alloy internals

SPECIFICATIONS

2 Dial	2 1/2" (63 mm)
Case	Stainless steel, dry yet fillable
Wetted Parts	Copper alloy
Bezel	Removable, stainless steel
Lens	Glass
Pointer	Adjustable, black aluminum
Connection	Center back mount with front flange 1/4" NPT
Scale	Standard: psi/BAR (x 100 = kPa)
Accuracy	2-1-2% of span ASME B40.1 Grade A
Ambient Temp	Dry = -30° F to 180° F Glycerine Filled = 30° F to 160° F

Design meets or exceeds ASME B40.100 pressure gauge standard.



AVAILABLE OPTIONS*

- Certificate of Accuracy, NIST traceable
- Custom Dial
- Liquid Fill Options, see page 176
- Anti-Vibration Movement, see page 109
- Cleaned for Oxygen Service (dry only)
- Special Connection Size
- Plastic Lens
- Max/Min Pointer, see page 122

*Lead times/minimums may apply

Dial	Unit	A	B	C	D	E	F	G
2 1/2"	In.	2.83"	1.37"	1.00"	2.29"	1/4"	3.45"	2.48"
	mm	72	35	25	58	NPT	88	63

For complete flange dimensions, see page 123.

APPROXIMATE SHIPPING WEIGHTS/ BOX QUANTITIES

Dial Size	Est. Unit Weight	Box Qty
2 1/2"	0.55 lbs (0.25 kg)	50

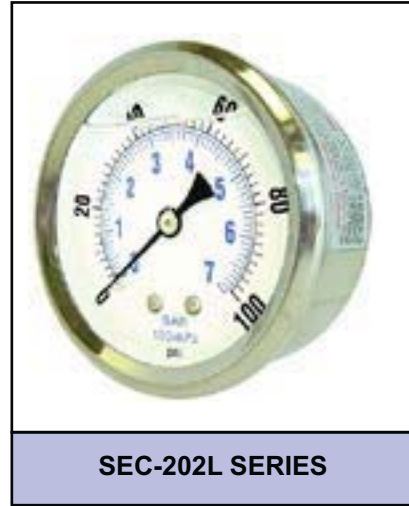
SEC-200 SERIES LIQUID FILLED GAUGE



Glycerine filled for added durability in applications where vibration or pulsation is present
Stainless steel case and bezel, copper alloy internals



SEC-201L SERIES



SEC-202L SERIES



SEC-203L SERIES



SEC-204L SERIES

STANDARD DIAL CONFIGURATIONS FOR SEC-200 SERIES

Dial Range	Figure Intervals	Graduation Intervals	Dial Range	Figure Intervals	Graduation Intervals	Dial Range	Figure Intervals	Graduation Intervals
30/0"hg Vac	5" hg	0.5" hg	0/60 psi	10 psi	1 psi	0/1000 psi	200 psi	20 psi
30/0/30 psi	10" hg/10psi	1" hg/1 psi	0/100 psi	20 psi	2 psi	0/1500 psi	200 psi	20 psi
30/0/60 psi	10" hg/10psi	2" hg/1 psi	0/160 psi	20 psi	2 psi	0/2000 psi	400 psi	40 psi
30/0/100 psi	30" hg/20psi	5" hg/2 psi	0/200 psi	40 psi	4 psi	0/3000 psi	500 psi	50 psi
30/0/150 psi	30" hg/20psi	5" hg/2 psi	0/300 psi	50 psi	5 psi	0/4000 psi	500 psi	50 psi
30/0/300 psi	30" hg/50psi	10" hg/5 psi	0/400 psi	50 psi	5 psi	0/5000 psi	1000 psi	100 psi
0/15 psi	2 psi	0.1 psi	0/500 psi	100 psi	10 psi	0/6000 psi	1000 psi	100 psi
0/30 psi	5 psi	0.5 psi	0/600 psi	100 psi	10 psi	0/10,000 psi	2000 psi	200 psi

NOTE: Because of continuing improvements, increments/specifications are subject to change without notice. Stock ranges vary by dial size and configuration. Consult PIC Gauges for availability.

A Division of Engineered Specialty Products, Inc.



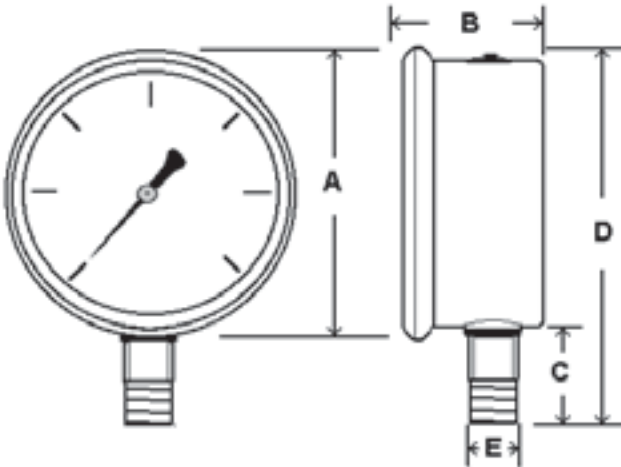
SEC-201L LIQUID FILLED LOWER MOUNT

Glycerine filled for added durability in applications where vibration or pulsation is present
Stainless steel case and bezel, copper alloy internals

SPECIFICATIONS

2	Dial	2 ½" (63 mm)
	Case	Stainless steel, glycerine filled
	Wetted Parts	Copper alloy
	Bezel	Stainless steel, fixed
	Lens	Polycarbonate
	Pointer	Black aluminum
	Connection	Lower mount
		2 ½" dial = ¼" NPT
	Scale	Standard: psi/BAR (x 100 = kPa)
	Accuracy	3-2-3% of span ASME B40.1 Grade B
Ambient Temp	Glycerine Filled = 30° F to 160° F Dry = -30° F to 180° F	

Design meets or exceeds ASME B40.100 pressure gauge standard.



Dial	Unit	A	B	C	D	E
2 ½"	In.	2.65"	1.20"	0.88"	3.30"	¼"
	mm	68	30	22	84	NPT

AVAILABLE OPTIONS*

- Certificate of Accuracy, NIST traceable
- Custom Dial
- Liquid Fill Options, see page 176
- Anti-Vibration Movement, see page 109
- Dry, Fillable Case
- Special Connection Size
- Protective Rubber Cover, see page 121
- Max/Min Pointer, see page 122

*Lead times/minimums may apply

APPROXIMATE SHIPPING WEIGHTS/ BOX QUANTITIES

Dial Size	Est. Unit Weight	Box Qty
2 ½"	0.45 lbs (0.20 kg)	100

SEC-202L LIQUID FILLED CENTER BACK MOUNT



Glycerine filled for added durability in applications where vibration or pulsation is present
Stainless steel case and bezel, copper alloy internals

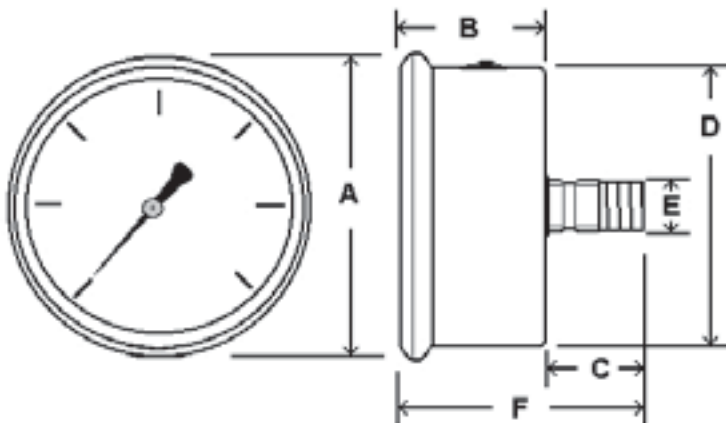
SPECIFICATIONS

Dial	2 1/2" (63 mm),
Case	Stainless steel, glycerine filled
Wetted Parts	Copper alloy
Bezel	Stainless steel, fixed
Lens	Polycarbonate
Pointer	Black aluminum
Connection	Center back mount 2 1/2" dial = 1/4" NPT
Scale	Standard: psi/BAR (x 100 = kPa)
Accuracy	3-2-3% of span ASME B40.1 Grade B
Ambient Temp	Glycerine Filled = 30° F to 160° F Dry = -30° F to 180° F

Design meets or exceeds ASME B40.100 pressure gauge standard.



2



Dial	Unit	A	B	C	D	E
2 1/2"	In.	2.65"	1.21"	0.91"	2.44"	1/4"
	mm	68	31	23	62	NPT

AVAILABLE OPTIONS*

- Certificate of Accuracy, NIST traceable
- Custom Dial
- Liquid Fill Options, see page 176
- Anti-Vibration Movement, see page 109
- Dry, Fillable Case
- Special Connection Size
- Protective Rubber Cover, see page 121
- Max/Min Pointer, see page 122

*Lead times/minimums may apply

APPROXIMATE SHIPPING WEIGHTS/ BOX QUANTITIES

Dial Size	Est. Unit Weight	Box Qty
2 1/2"	0.45 lbs (0.22 kg)	60



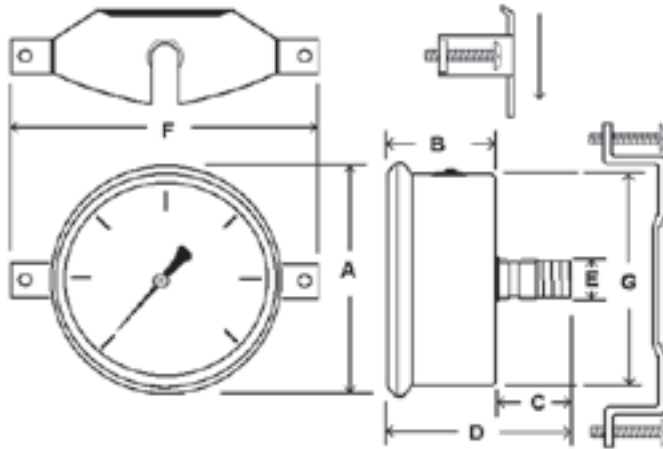
SEC-203L LIQUID FILLED U-CLAMP PANEL MOUNT

Glycerine filled for added durability in applications where vibration or pulsation is present
Stainless steel case and bezel, copper alloy internals

SPECIFICATIONS

2	Dial	2 ½" (63 mm),
	Case	Stainless steel, glycerine filled
	Wetted Parts	Copper alloy
	Bezel	Stainless steel, fixed
	Lens	Polycarbonate
	Pointer	Black aluminum
	Connection	Center back mount with u-clamp 2 ½" dial = ¼" NPT
	Scale	Standard: psi/BAR (x 100 = kPa)
	Accuracy	3-2-3% of span ASME B40.1 Grade B
	Ambient Temp	Glycerine Filled = 30° F to 160° F Dry = -30° F to 180° F

Design meets or exceeds ASME B40.100 pressure gauge standard.



Dial	Unit	A	B	C	D	E	F	G
2 ½"	In.	2.65"	1.21"	0.91"	2.12"	¼"	3.84"	2.44"
	mm	68	31	23	54	NPT	98	61

AVAILABLE OPTIONS*

- Certificate of Accuracy, NIST traceable
- Custom Dial
- Liquid Fill Options, see page 176
- Anti-Vibration Movement, see page 109
- Dry, Fillable Case
- Special Connection Size
- Max/Min Pointer, see page 122

*Lead times/minimums may apply

APPROXIMATE SHIPPING WEIGHTS/ BOX QUANTITIES

Dial Size	Est. Unit Weight	Box Qty
2 ½"	0.55 lbs (0.26 kg)	60

SEC-204L LIQUID FILLED FRONT FLANGE PANEL MOUNT



Glycerine filled for added durability in applications where vibration or pulsation is present
Stainless steel case and bezel, copper alloy internals

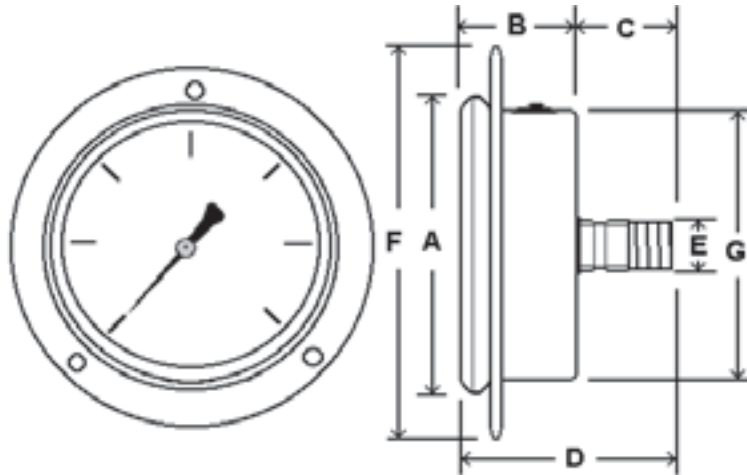
2

SPECIFICATIONS

Dial	2 1/2" (63 mm)
Case	Stainless steel, glycerine filled
Wetted Parts	Copper alloy
Bezel	Stainless steel, fixed
Lens	Polycarbonate
Pointer	Black aluminum
Connection	Center back mount with front flange 2 1/2" dial = 1/4" NPT
Scale	Standard: psi/BAR (x 100 = kPa)
Accuracy	3-2-3% of span ASME B40.1 Grade B
Ambient Temp	Glycerine Filled = 30° F to 160° F Dry = -30° F to 180° F



Design meets or exceeds ASME B40.100 pressure gauge standard.



Dial	Unit	A	B	C	D	E	F	G
2 1/2"	In.	2.65"	1.21"	0.91"	2.12"	1/4"	3.46"	2.44"
	mm	68	31	23	54	NPT	88	61

For complete flange dimensions, see page 123.

AVAILABLE OPTIONS*

- Certificate of Accuracy, NIST traceable
- Custom Dial
- Liquid Fill Options, see page 176
- Anti-Vibration Movement, see page 109
- Dry, Fillable Case
- Special Connection Size
- Max/Min Pointer, see page 122

*Lead times/minimums may apply

APPROXIMATE SHIPPING WEIGHTS/ BOX QUANTITIES

Dial Size	Est. Unit Weight	Box Qty
2 1/2"	0.55 lbs (0.26 kg)	60