

# AMMONIA REFRIGERATION GAUGES



For ammonia refrigeration applications, PIC Gauges ammonia gauges measure ammonia refrigerant pressure and corresponding temperature.



| STANDARD DIAL CONFIGURATIONS FOR AMMONIA SERIES |            |                  |                      |
|---|------------|------------------|----------------------|
| Part Number                                     | Dial Range | Figure Intervals | Graduation Intervals |
| 401NH3-254CF                                    | 30/0/150   | 30" hg/25 psi    | 5" hg/5 psi          |
| 401NH3-254CH                                    | 30/0/300   | 30" hg/50 psi    | 5" hg/5 psi          |
| 401NH3-404CF                                    | 30/0/150   | 30" hg/25 psi    | 5" hg/5 psi          |
| 401NH3-404CH                                    | 30/0/300   | 30" hg/50 psi    | 5" hg/5 psi          |
| AMMONIA-LF-254CF                                | 30/0/150   | 30" hg/20 psi    | 5" hg/2 psi          |
| AMMONIA-LF-254CH                                | 30/0/300   | 30" hg/50 psi    | 10" hg/5 psi         |
| AMMONIA-LF-404CF                                | 30/0/150   | 30" hg/25 psi    | 5" hg/5 psi          |
| AMMONIA-LF-404CH                                | 30/0/300   | 30" hg/50 psi    | 5" hg/5 psi          |

\*For Agricultural Ammonia gauges, see page 91.

**NOTE:** Because of continuing improvements, increments and specifications are subject to change. Stock ranges vary by dial size and configuration. Consult PIC Gauges for availability.



# 401NH3 SERIES

**Dry non-fillable gauge for ammonia refrigeration applications**  
**Chrome plated steel case, stainless steel internals and steel socket**

## SPECIFICATIONS

|                     |  |
|---------------------|--|
| <b>Dial</b>         | 2 1/2" (63 mm), 4" (100 mm)  |
| <b>Case</b>         | Chrome plated steel case, dry non-fillable                                     |
| <b>Wetted Parts</b> | Steel socket, stainless steel Bourdon tube                                     |
| <b>Ranges</b>       | 30/0/150 psi/-40/0/80° F<br>30/0/300 psi/-40/0/120° F                          |
| <b>Bezel</b>        | Removable lens   |
| <b>Lens</b>         | Plastic, twist-off   |
| <b>Pointer</b>      | 2 1/2" - adjustable, black aluminum<br>4" - without adjustment, black aluminum |
| <b>Connection</b>   | Lower mount<br>1/4" NPT  |
| <b>Scale</b>        | Standard: psi/° F temperature equivalent                                       |
| <b>Accuracy</b>     | 3-2-3% of span ASME B40.1 Grade B  |
| <b>Ambient Temp</b> | Dry = -40° F to 180° F   |

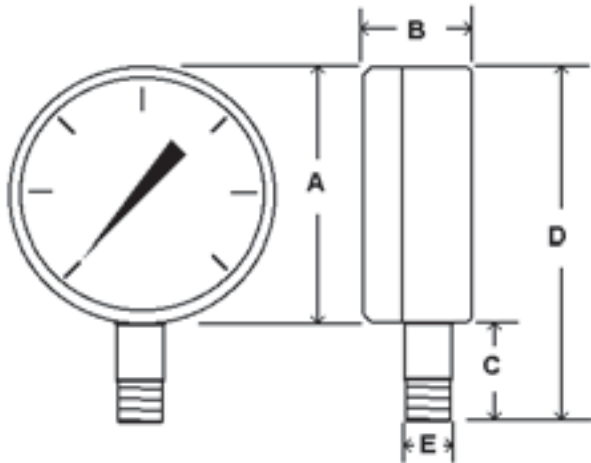


*Design meets or exceeds ASME B40.100 pressure gauge standard.*

## AVAILABLE OPTIONS\*

- Custom Dial
- Special Connection Size
- Other Ranges

5



| Dial   | Unit | A     | B     | C     | D     | E           |
|--------|------|-------|-------|-------|-------|-------------|
| 2 1/2" | In.  | 2.87" | 1.14" | 2.65" | 0.84" | 1/4"<br>NPT |
|        | mm   | 73    | 29    | 67    | 21    |             |
| 4"     | In.  | 4.21" | 1.35" | 3.89" | 1.03" | 1/4"<br>NPT |
|        | mm   | 107   | 34    | 99    | 26    |             |

\*Lead times/minimums may apply

## APPROXIMATE SHIPPING WEIGHTS/ BOX QUANTITIES

| Dial Size | Est. Unit Wt.         | Box Qty |
|-----------|-----------------------|---------|
| 2 1/2"    | 0.3 lbs<br>(0.14 kg)  | 50      |
| 4"        | 0.55 lbs<br>(0.24 kg) | 50      |

# AMMONIA-LF SERIES



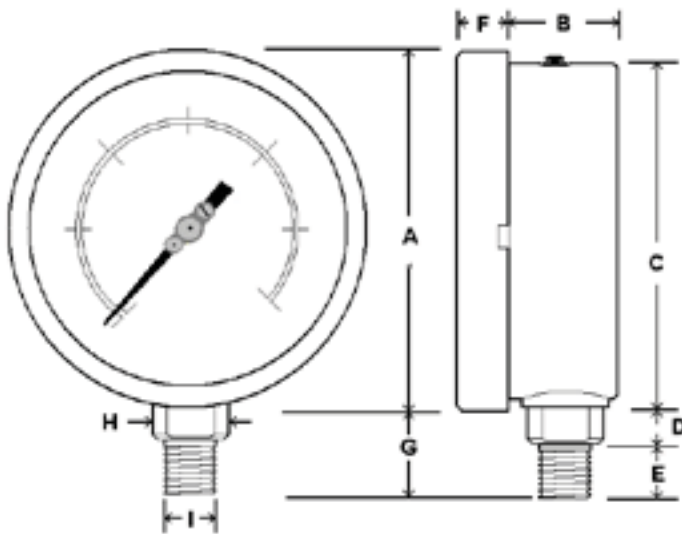
**Glycerine filled gauge for ammonia refrigeration applications**  
**Stainless steel case, 316 stainless steel internals**

## SPECIFICATIONS

|                     |  |
|---------------------|--|
| <b>Dial</b>         | 2 ½" (63 mm), 4" (100 mm)                                    |
| <b>Case</b>         | Stainless steel, glycerine filled                            |
| <b>Wetted Parts</b> | 316 stainless steel  |
| <b>Ranges</b>       | 30/0/150 psi/-40/0/80° F<br>30/0/300 psi/-40/0/120° F        |
| <b>Bezel</b>        | Removable, stainless steel                                   |
| <b>Lens</b>         | Polycarbonate  |
| <b>Pointer</b>      | Adjustable, black aluminum                                   |
| <b>Connection</b>   | Lower mount<br>¼" NPT  |
| <b>Scale</b>        | Standard: psi/° F temperature equivalent                     |
| <b>Accuracy</b>     | 2-1-2% of span ASME B40.1 Grade A                            |
| <b>Ambient Temp</b> | Glycerine Filled = 30° F to 160° F<br>Dry = -40° F to 180° F |



*Design meets or exceeds ASME B40.100 pressure gauge standard.*



| Dial | Unit | A     | B     | C     | D     | E     | F     | G     | H     | I         |
|------|------|-------|-------|-------|-------|-------|-------|-------|-------|-----------|
| 2 ½" | In.  | 2.72" | 0.76" | 2.50" | 0.24" | 0.49" | 0.44" | 0.70" | 0.55" | ¼"<br>NPT |
|      | mm   | 69    | 19.5  | 64    | 6.2   | 12.4  | 11.3  | 18    | 14    |           |
| 4"   | In.  | 4.32" | 1.30" | 4.06" | 0.52" | 0.58" | 0.57" | 1.08" | 0.84" | ¼"<br>NPT |
|      | mm   | 110   | 33    | 103   | 13.3  | 15    | 14.6  | 27.5  | 21.5  |           |

## AVAILABLE OPTIONS\*

- Custom Dial
- Liquid Fill Options, see page 176
- Glow Dials
- Special Connection Size
- Other Ranges

\*Lead times/minimums may apply

## APPROXIMATE SHIPPING WEIGHTS/ BOX QUANTITIES

| Dial Size | Est. Unit Wt.         | Box Qty |
|-----------|-----------------------|---------|
| 2 ½"      | 0.50 lbs<br>(0.22 kg) | 100     |
| 4"        | 1.75 lbs<br>(0.80 kg) | 30      |



# AMMONIA-604 LOWER BACK MOUNT

Heavy duty 6" dry yet fillable gauge for ammonia refrigeration applications  
Stainless steel case, 316 stainless steel internals

## SPECIFICATIONS

|                     |  |
|---------------------|--|
| <b>Dial</b>         | 6" (152 mm)  |
| <b>Case</b>         | Stainless steel, dry yet fillable,<br>With back flange       |
| <b>Wetted Parts</b> | 316 stainless steel  |
| <b>Ranges</b>       | 30/0/150 psi/-100/0/86° F<br>30/0/300 psi/-100/0/125° F      |
| <b>Bezel</b>        | Removable, stainless steel                                   |
| <b>Lens</b>         | Tempered glass   |
| <b>Pointer</b>      | Adjustable, black aluminum                                   |
| <b>Connection</b>   | Lower back mount<br>1/4" NPT                                 |
| <b>Scale</b>        | Standard: psi/° F temperature equivalent                     |
| <b>Accuracy</b>     | 0.5% of span ASME B40.1 Grade 2A                             |
| <b>Ambient Temp</b> | Dry = -30° F to 180° F<br>Glycerine Filled = 30° F to 160° F |



## AVAILABLE OPTIONS\*

- Certificate of Accuracy, NIST traceable
- Custom Dial
- Special Connection Size
- Cleaned for Oxygen Service
- Plastic Lens

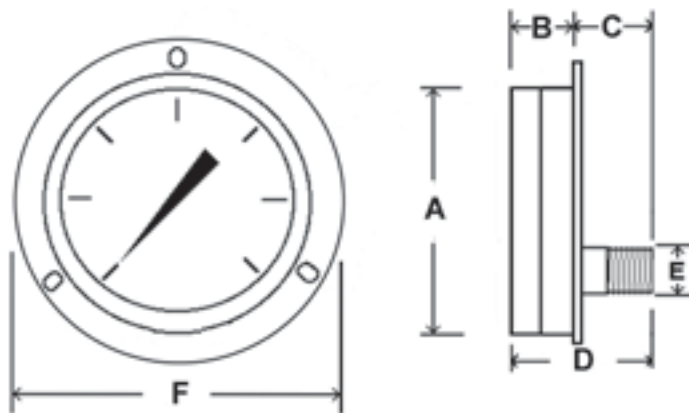
\*Lead times/minimums may apply

## APPROXIMATE SHIPPING WEIGHTS/ BOX QUANTITIES

| Dial Size | Est. Unit Wt.         | Box Qty      |
|-----------|-----------------------|--------------|
| 6"        | 2.45 lbs<br>(1.12 kg) | upon request |

5

Design meets or exceeds ASME B40.100 pressure gauge standard.



| Dial | Unit | A     | B     | C     | D     | E    | F     |
|------|------|-------|-------|-------|-------|------|-------|
| 6"   | In.  | 6.75" | 2.00" | 1.53" | 3.53" | 1/4" | 7.65" |
|      | mm   | 171   | 50    | 38    | 88    | NPT  | 194   |

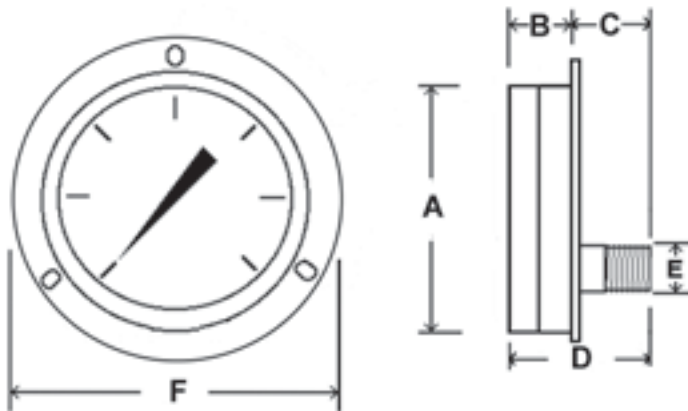
# AMMONIA-804 LOWER BACK MOUNT



Heavy duty black aluminum gauge  
Removable bezel, adjustable pointer  
Suitable for applications not corrosive to stainless steel

## SPECIFICATIONS

|                     |   |
|---------------------|---|
| <b>Dial</b>         | 8" (203 mm)   |
| <b>Case</b>         | Aluminum black painted, dry non-fillable, rear flange   |
| <b>Wetted Parts</b> | 316 stainless steel                                     |
| <b>Ranges</b>       | 30/0/150 psi/-100/0/84° F<br>30/0/300 psi/-100/0/125° F |
| <b>Bezel</b>        | Removable, black aluminum                               |
| <b>Lens</b>         | Tempered glass  |
| <b>Pointer</b>      | Adjustable, black aluminum                              |
| <b>Connection</b>   | Lower back mount<br>1/4" NPT                            |
| <b>Scale</b>        | Standard: psi/° F temperature equivalent                |
| <b>Accuracy</b>     | 1% of span ASME B40.1 Grade 1A                          |
| <b>Ambient Temp</b> | -30° F to 180° F  |



| Dial | Unit | A     | B     | C     | D     | E    | F     |
|------|------|-------|-------|-------|-------|------|-------|
| 8"   | In.  | 7.93" | 1.59" | 1.41" | 3.00" | 1/4" | 9.13" |
|      | mm   | 201   | 40    | 36    | 76    | NPT  | 232   |

## AVAILABLE OPTIONS\*

- Certificate of Accuracy, NIST traceable
- Custom Dial
- Special Connection Size
- Cleaned for Oxygen Service
- Plastic Lens

5

\*Lead times/minimums may apply

## APPROXIMATE SHIPPING WEIGHTS/ BOX QUANTITIES

| Dial Size | Est. Unit Wt.         | Box Qty      |
|-----------|-----------------------|--------------|
| 8"        | 3.95 lbs<br>(1.80 kg) | upon request |



# ADDITIONAL AMMONIA GAUGES

## Ammonia refrigerant gauges

### AMMONIA PROCESS GAUGE SPECIFICATIONS

|                     |  |
|---------------------|--|
| <b>Dial</b>         | 4 1/2" (114 mm), 6" (160 mm)                     |
| <b>Case</b>         | Phenolic - Solid front blow out back on 4 1/2"   |
|                     | Aluminum with hinged front flange on 4 1/2" & 6" |
| <b>Wetted Parts</b> | 316 stainless steel                              |
| <b>Ranges</b>       | 30/0/150 psi/-40/0/80° F                         |
|                     | 30/0/300 psi/-40/0/120° F                        |
| <b>Bezel</b>        | Removable  |
| <b>Lens</b>         | Polycarbonate                                    |
| <b>Pointer</b>      | Adjustable, black aluminum                       |
| <b>Connection</b>   | Lower mount or lower back mount                  |
|                     | 1/4" or 1/2" NPT for 4 1/2" & 6"                 |
| <b>Scale</b>        | Standard: psi/° F temperature equivalent         |
| <b>Accuracy</b>     | 0.5% of span on 4 1/2" & 6" ASME B40.1 Grade 2A  |
| <b>Ambient Temp</b> | Glycerine Filled = 30° F to 160° F               |
|                     | Dry = -30° F to 180° F                           |

*Design meets or exceeds ASME B40.100 pressure gauge standard.*



4501 4502 4504 6504  
page 58 - page 60

5

### AMMONIA PANEL MOUNT SPECIFICATIONS

|                     |  |
|---------------------|--|
| <b>Dial</b>         | 2 1/2" (63 mm), 4" (100 mm), 6" (160 mm) |
| <b>Case</b>         | Stainless steel                          |
| <b>Wetted Parts</b> | 316 stainless steel                      |
| <b>Ranges</b>       | 30/0/150 psi/-40/0/80° F                 |
|                     | 30/0/300 psi/-40/0/120° F                |
| <b>Bezel</b>        | Stainless steel, removable               |
| <b>Lens</b>         | Laminated safety glass                   |
| <b>Pointer</b>      | Adjustable, black aluminum               |
| <b>Connection</b>   | Lower back mount with front flange       |
|                     | 1/4" NPT for 2 1/2"                      |
|                     | 1/4" or 1/2" NPT for 4" & 6"             |
| <b>Scale</b>        | Standard: psi/° F temperature equivalent |
| <b>Accuracy</b>     | 1% of span ASME B40.1 Grade 1A           |
| <b>Ambient Temp</b> | Glycerine Filled = 30° F to 160° F       |
|                     | Dry = -30° F to 180° F                   |

*Design meets or exceeds ASME B40.100 pressure gauge standard.*



314D-254/404/6004  
page 42 & page 55

# 401A SERIES AGRICULTURAL AMMONIA GAUGE

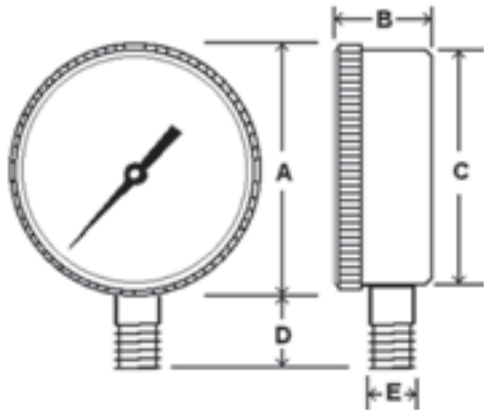


Dry, non-fillable gauge for agricultural ammonia applications  
Black painted steel case, stainless steel internals and steel socket

## SPECIFICATIONS

|                     |  |
|---------------------|--|
| <b>Dial</b>         | 2 1/2" (63 mm), 4" (100 mm)                      |
| <b>Case</b>         | Black painted steel, dry non-fillable            |
| <b>Wetted Parts</b> | Stainless steel bourdon tube<br>Steel connection |
| <b>Ranges</b>       | 0/60 psi, 0/160 psi, 0/400 psi                   |
| <b>Bezel</b>        | Removable lens                                   |
| <b>Lens</b>         | Plastic, twist-off                               |
| <b>Pointer</b>      | Black aluminum                                   |
| <b>Connection</b>   | Lower mount<br>1/4" NPT                          |
| <b>Scale</b>        | Standard: single scale psi                       |
| <b>Accuracy</b>     | 3-2-3% of span, ASME B40.1 Grade B               |
| <b>Ambient Temp</b> | -40° F to 180° F                                 |

Design meets or exceeds ASME B40.100 pressure gauge standard.



| Dial   | Unit | A     | B     | C     | D     | E        |
|--------|------|-------|-------|-------|-------|----------|
| 2 1/2" | In.  | 2.84" | 1.18" | 2.65" | 0.67" | 1/4" NPT |
|        | mm   | 72    | 30    | 67    | 17    |          |
| 4"     | In.  | 4.05" | 1.40" | 3.87" | 0.89" | 1/4" NPT |
|        | mm   | 103   | 36    | 98    | 23    |          |

## STANDARD DIAL CONFIGURATIONS FOR AGRICULTURAL AMMONIA SERIES

| Part Number | Dial Size | Dial Range | Figure Intervals | Graduation Intervals |
|-------------|-----------|------------|------------------|----------------------|
| 401A-254D   | 2 1/2"    | 0/60 psi   | 10 psi           | 1 psi                |
| 401A-254F   | 2 1/2"    | 0/160 psi  | 40 psi           | 5 psi                |
| 401A-254I   | 2 1/2"    | 0/400 psi  | 100 psi          | 10 psi               |
| 401A-404D   | 4"        | 0/60 psi   | 10 psi           | 2 psi                |
| 401A-404F   | 4"        | 0/160 psi  | 40 psi           | 5 psi                |
| 401A-404I   | 4"        | 0/400 psi  | 100 psi          | 10 psi               |

## AVAILABLE OPTIONS\*

- Custom Dial
- Special Connection Size
- Other Ranges

\*Lead times/minimums may apply

## APPROXIMATE SHIPPING WEIGHTS/ BOX QUANTITIES

| Dial Size | Est. Unit Wt.         | Box Qty      |
|-----------|-----------------------|--------------|
| 2 1/2"    | 0.25 lbs<br>(0.12 kg) | 50           |
| 4"        | 0.65 lbs<br>(0.30 kg) | upon request |